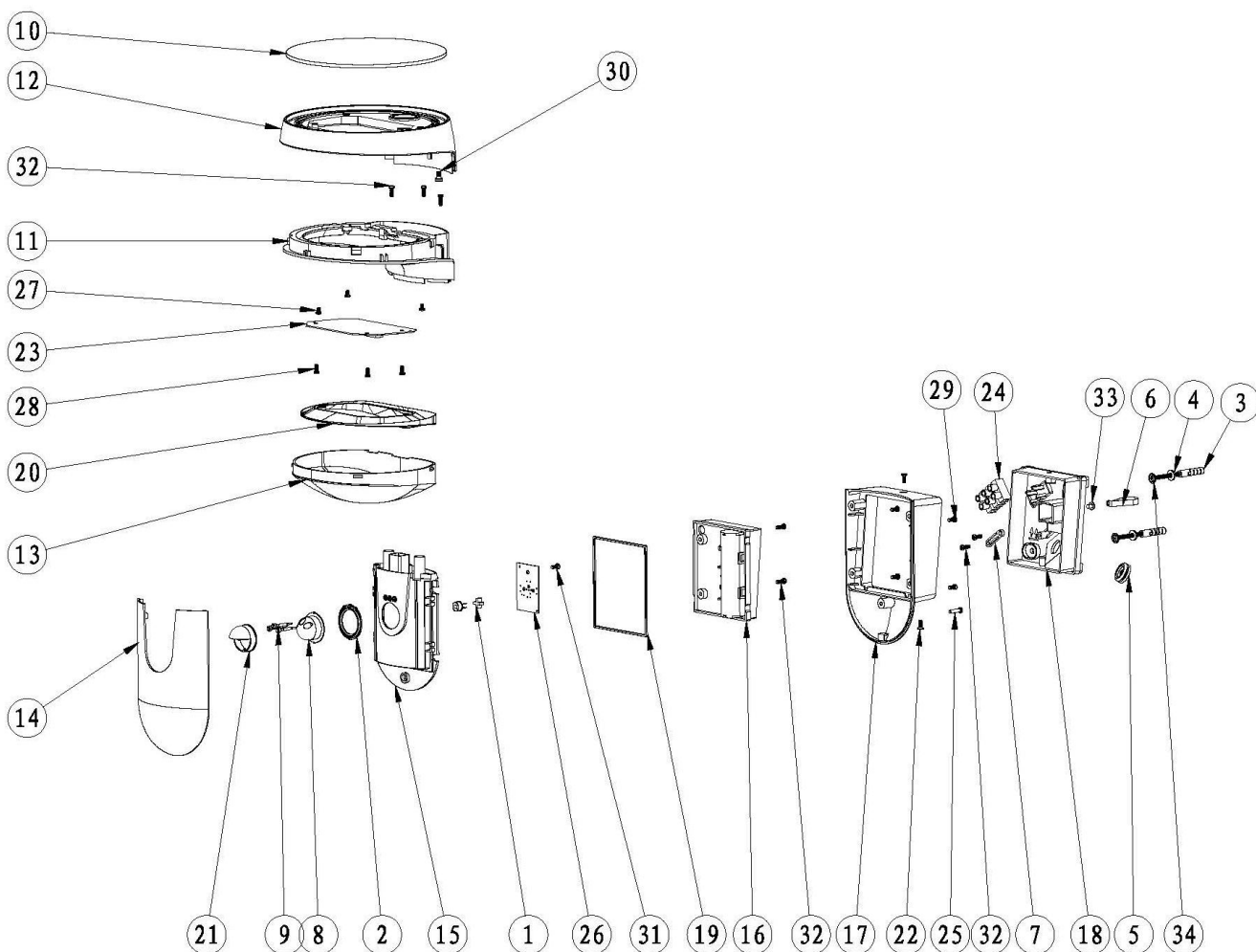


Dismantling Recommendation on Disposal at End of Life

Composition Explanation



Dismantling Recommendation on Disposal at End of Life

Composition Explanation

No.	Components	Specifications	Unit	Quantity
1	5mm cross type induction head fixing seat	ABS	PCS	1
2	Lens holder (continuous casting lens)	PC2807	PCS	1
3	Φ6 colloidal particle	PE	PCS	2
4	gasket	silica gel	PCS	2
5	Line stopper	silica gel	PCS	1
6	Article nylon fabric.	nylon	PCS	1
7	tension disc	LG PC1201	PCS	1
8	Lens	PE	PCS	1
9	Adjusting handle	PC2807	PCS	3
10	glass	glass	PCS	1
11	Top Cover	PC2807	PCS	1
12	Capping	ADC12	PCS	1
13	Transparent cover	PC2807	PCS	1
14	Surface Cover	ADC12	PCS	1
15	Middle-cover	PC2807	PCS	1
16	Battery compartments	PC2807	PCS	1
17	Back cover	ADC12	PCS	1
18	Install wallboard	PC2807	PCS	1
19	Ring	silica gel	PCS	1
20	Reflector	PC	PCS	1
21	Lens protective cover	PC2807	PCS	1
22	KB3X8 Screw	SUS 316	PCS	2
23	LED Board	aluminum substrate	PCS	1
24	3-bit wiring terminal	PA9	PCS	1
25	PM3X12 Screw	SUS 304	PCS	1
26	Sensor PCB	/	PCS	1
27	PM3X4 Screw	Nickel plating	PCS	3
28	PM3X6 Screw	Nickel plating	PCS	3
29	PM3X8 Screw	SUS 304	PCS	4
30	PM4X6 Screw	Nickel plating	PCS	1
31	PT3X6 Screw	Nickel plating	PCS	1
32	PT3X8 Screw	Nickel plating	PCS	7
33	PWA3X6 Screw	SUS 304	PCS	1
34	PWA4X35 Screw	SUS 316	PCS	2

Dismantling Recommendation on Disposal at End of Life

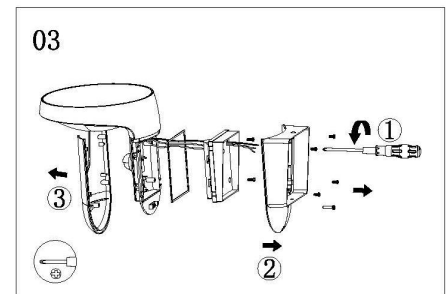
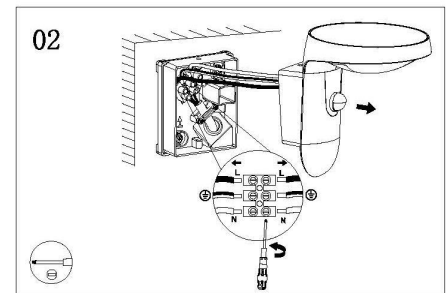
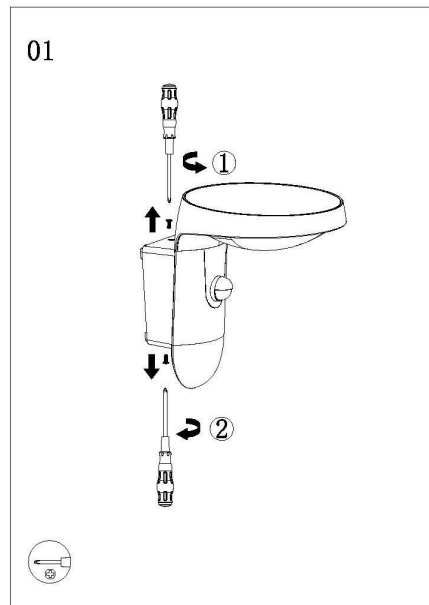
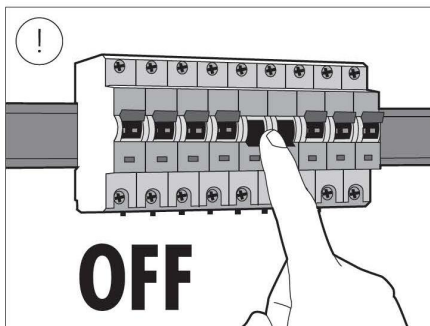
Dismantling

- Type: Without permanent damage

Recommendation on Disposal

- Plastic part: Reuse and Recycling
- Electrical part: Incineration and disposal
- Metal part: Recycling

Light source dismantling process



Dismantling Recommendation on Disposal at End of Life

