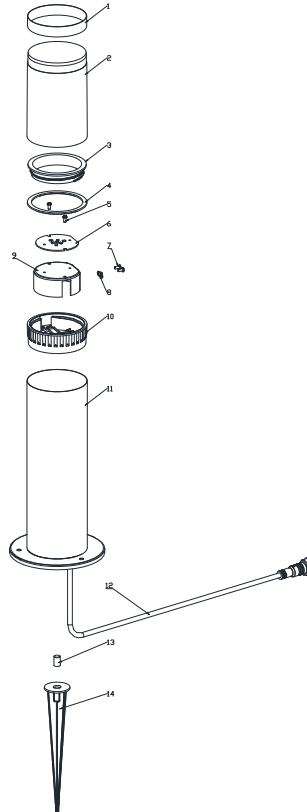


Dismantling Recommendation on Disposal at End of Life

Composition Explanation



| No. | Components | Specifications | Unit | Quantity |
|-----|---------------|-------------------|------|----------|
| 1 | Cover ring | SS | PCS | 1 |
| 2 | Diffuser | PP | PCS | 1 |
| 3 | thread | PP | PCS | 1 |
| 4 | Gasket | Rubber | PCS | 1 |
| 5 | M3*5 screw | Zinc coated | PCS | 2 |
| 6 | L2 | | PCS | 1 |
| 7 | M3*8 screw | Zinc coated | PCS | 2 |
| 8 | Strain relief | PC | PCS | 1 |
| 9 | Heat sink | AL | PCS | 1 |
| 10 | connector | ABS | PCS | 1 |
| 11 | Tube | SS | PCS | 1 |
| 12 | cable | H05VV-F 2*0.75mm2 | PCS | 1 |
| 13 | M8*16 screw | Ss | PCS | 1 |
| 14 | Spike | AL | PCS | 1 |

Dismantling Recommendation on Disposal at End of Life

Dismantling

- Type: Without permanent damage

Recommendation on Disposal

- Plastic part: Reuse and Recycling
- Electrical part: Incineration and disposal
- Metal part: Recycling

Light source dismantling process

